

VPail & VDrum

20 It & 200 It Drum Melters



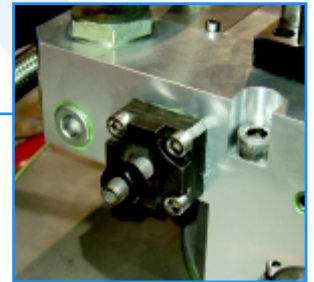
Engineered for efficiency.

MELTON Vpail & VDrum Systems Offer:

- Reliable controls
- Continuous pulse-free gear pump output
- Production flexibility

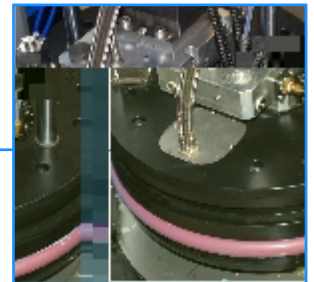


Gear pump with variable frequency drive

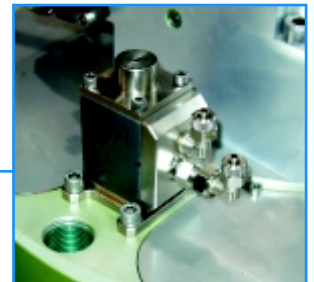


Built-in pressure relief valve to adjust adhesive output pressure

4 free electrical outputs; up to 8 programmable alarms



Teflon-coated platen with cast-in heaters

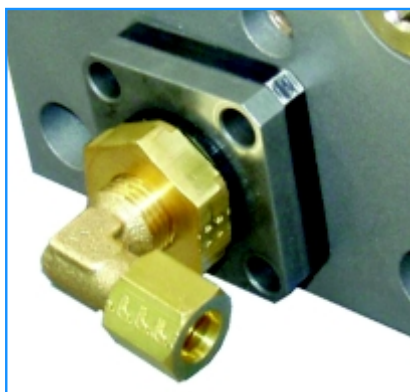


Drum blow-off valve

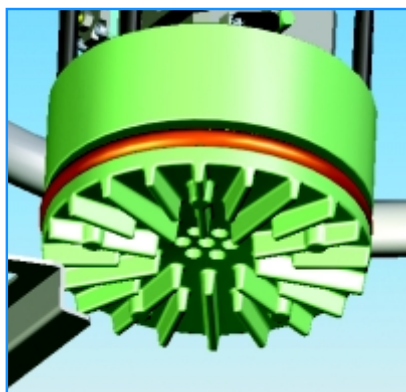
Bracket for accurate container position

Interior pneumatic box with RAM cylinder pressure adjustment

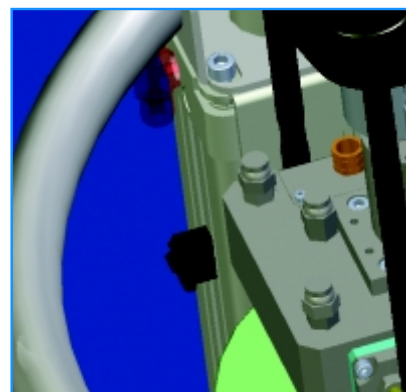
Vpail & VDrum Series Systems



Optional pneumatic control relief valve for more precise pressure control



Finned, flat and axial platens for specific adhesive types



Manifold designed for single or dual hose output

MELTON Vdrum Systems:

- Are the ideal solution for processing large quantities of hot melt EVA, PSA, and PUR.
- Utilize a true melt-on-demand supply of adhesive.
- Only adhesive in contact with the platen is heated, minimizing degradation.
- Are a Completely sealed system.
- Different melting plates are used depending on the required hot melt capacity and conductivity values of hot melt.

MELTON Vpail & VDrum system gear pump units allow a pulse-free flow of adhesive for precise gluing applications.

Technical Specifications

Characteristics	VPail Series			VDrum Series	
	20L flat platen	20L finned platen	20L axial platen	200L flat platen	200L finned platen
System:					
Drum Capacity (L):	20	20	20	200	200
Max. Melting Capacity (Kg/h):	15	30	42	60	200
Pump Options:	8cc, 15 cc	8cc, 15 cc	8cc, 15 cc	8cc, 15 cc, 30cc, 70cc	8cc, 15 cc, 30cc, 70cc
Max. number of pumps:	2	2	2	2	2
Working temperature:	30 - 240 °C				
Max. Working Viscosity (cps):	1,000,000 cps				
Max. Working Pressure (bar):	80 bar				
Electrical consumption (Kw):	10.0 Kw	10.0 Kw	10.0 Kw	27.0 Kw	27.0 Kw



For more information visit www.valcomelton.com, or contact your local representative.
 World Headquarters: USA, Cincinnati, Ohio (Corporate Offices) • Tel: 513.874.6550 • Fax: 513.874.3612 • info@meltonhotmelt.com
 European Headquarters: Spain, Navarra • Tel: +34.948.321.580 • Fax: +34 948 326 584 • melton@melton.es
 Asian Headquarters: China, Xiamen, Fujian • Tel: +86.592.591.7854 • Fax: +86.592.591.7834 • china@valcomelton.com
www.valcomelton.com • Serving Over 52 Countries Worldwide.

