

# ciSERIES specifications

## Controller

### Hardware

Single Printhead Control  
 Dual Processor: Motorola ColdFire / DSP  
 Speed: 66Mhz  
 Memory: 4 MByte Flash  
 16 MByte RAM

### Machine Interface

<b>ci500/ci700</b>	<b>ci1000/ci2000</b>
1 RS232 or RS485	1 Ethernet with Internet Browser Interface
1 RS232	1 RS232 or 1 RS485 (1200 up to 115.2KB)
1 PS2	1 RS232 (1200 up to 115.2KB)
	1 PS2

Inputs (Opto Isolated, Open Collector or TTL Type)

2 Photocell\* 1 Shaft Encoder 4 Programmable\*\*

\*Remote hardware product count reset option on Photocell 2.

\*\*Remote message selection option—16 possible selections.

Outputs

Two Programmable Alarms—Warning and Failure (Open Collector, 150mA sinking)  
 Programmable Dry Contact Relay  
 External Power (+24VDC 500mA)

Printhead Umbilical (options available upon request)

9 Feet (3 Meter) or 15 Feet (4.5 Meter)

### User Interface

Full-Size QWERTY Keyboard	Download Graphics and Integrated Editor
Quarter VGA Backlit Graphical Display	Optional keyboards available: Greek, Korean, Arabic
Intuitive Icon Based Operation	Automatic Diagnostics
WYSIWYG Message Editing	Error and Activity Logs
Drag/Drop Field Based Formatting	Service Reminders
Dynamic Message Storage (over 1000 Messages)	Continuous Print Capability
Single Button Start and Stop Operation	Backup / Restore Functions
Programmable Password Security	Multiple Operator Languages
Real and Expiration Time and Date	Multi-National Character Printing
Shift and Rollover Functions	Downloadable Software Updates
Product and Batch Counting	Tower Printing Functions

### Operating Environment

Temperature: 35°—113° F (5°—45° C)

% Relative Humidity: 10—90% (non condensing)

### Electrical Requirements

Auto Ranging: 100—240 VAC, (3 Amp)

Frequency: 50—60Hz

## Printhead

Technology:	Continuous Ink Jet (CIJ)	Printhead Orientation:	Omni Directional
Lines of Print:	ci500/ci700: 3 lines (25 pixel)	ci500/ci700 Print Fonts:	5, 7, 9, 12, 16, 25
	ci1000/ci2000: 5 lines (31 pixel)	ci1000 Print Fonts:	5, 7, 9, 12, 16, 25, 31

ciSeries systems feature SmartClean™ automatic printhead maintenance.

### PixelPlus™

#### Image Height:

Normal Drop Setting	.05" (1.5mm)—.50" (12mm)
Midi Drop Setting	.10" (2.5mm)—.50" (12mm)
Macro Drop Setting	.25" (6mm)—.50" (12mm)
Micro System	.025" (.6mm)—.25" (6mm)
HS 50 System	.06" (1.5mm)—.50" (12mm)

#### Throw Distance:

Normal Drop Setting	.5" (12mm)
Midi Drop Setting	.7" (17mm)
Macro Drop Setting	1.5" (38mm)
Micro system	.5" (12mm)
HS 50 System	.5" (12mm)

#### Line Speed:

<b>Normal Drop (60 micron)</b>	<b>Midi Drop (65 micron)</b>	<b>Macro Drop (75 micron)</b>
1 Line 7x5—1500 ft/min (470 M/min)	1 Line 7x5—802 ft/min (244 M/min)	1 Line 7x5—1093 ft/min (333 M/min)
2 Line 7x5—600 ft/min (196 M/min)	2 Line 7x5—468 ft/min (143 M/min)	2 Line 7x5—455 ft/min (139 M/min)
3 Line 7x5—350 ft/min (107 M/min)	3 Line 7x5—255 ft/min (78 M/min)	3 Line 7x5—248 ft/min (76 M/min)
4 Line 7x5—308 ft/min (94 M/min)	4 Line 7x5—224 ft/min (68 M/min)	4 Line 7x5—219 ft/min (67 M/min)

#### Micro (40 micron drop)

1 Line 7x5—1618 ft/min (493 M/min)
2 Line 7x5—674 ft/min (205 M/min)
3 Line 7x5—368 ft/min (112 M/min)
4 Line 7x5—324 ft/min (99 M/min)

#### HS 50 System (50 micron drop)

1 Line 7x5—1685 ft/min (513 M/min)
2 Line 7x5—702 ft/min (213 M/min)
3 Line 7x5—383 ft/min (116 M/min)
4 Line 7x5—337 ft/min (103 M/min)

## Consumable & Delivery

Ink Types: Full Range—MEK, Ethanol, Acetone, FDA Compliant  
 Ink Colors: Black, Red, Blue, Green, Yellow, White, Invisible (UV Readable),  
 Steam Color Changeable (Black to Red, Black to Blue)  
 Ink Dry Time: Quick Dry to Immediate  
 Ink Bottles: 16oz (473ml)  
 Makeup Bottles: ci700/ci1000/ci2000: 16oz (473ml), ci500: 4oz (118ml)  
 Fluid Capacities: 64oz (1.9L)

## Physical Characteristics

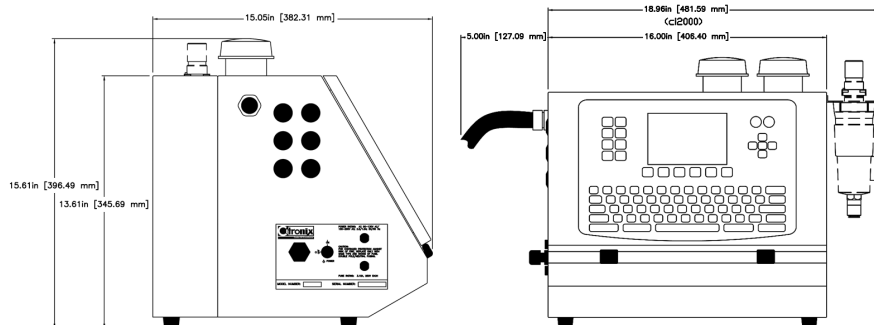
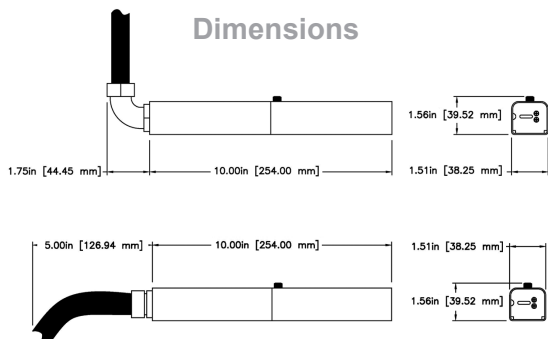
	ci500	ci700/ci1000	ci2000
Enclosure:	Stainless Steel	Stainless Steel	Stainless Steel
Environmental:	Nema 4 (IP55)	Nema 4 (IP55)	Nema 4 (IP65)
Weight Controller:	40 lbs (18kg)	43 lbs (19kg)	45 lbs (19kg)
Weight Printhead:	2 lbs (.90kg)	2 lbs (.90kg)	2 lbs (.90kg)

## Optional Accessories

Alarm Beacons	Photocells	Printhead Wash Station
Bench Mountings	Shaft Encoders	
Floor Mountings	Positive Air Kit (dusty environments)	

By request, Citronix can adapt hardware and software to meet specific application demands.

## Dimensions



Ft. Worth, Texas 76140  
 tel: 817.568.9800 • fax: 817.568.1970

www.citronix.com  
 info@citronix.com  
 Designed and manufactured in the USA